



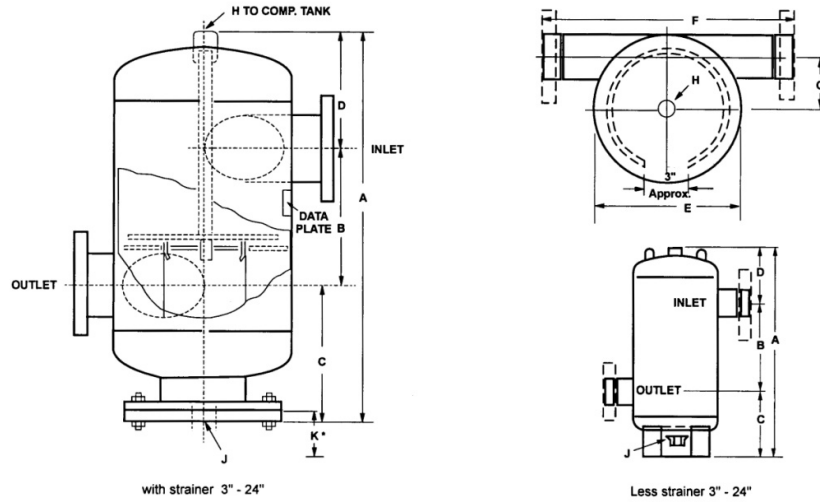
حرارت گستر
HARARAT GOSTAR
QUALITY THROUGH DESIGN & WORKMANSHIP
GOSTAR STEAM & WATER TREATMENT

ROLAIRTROL AIR SEPARATOR



NO.86, TALEGHANI AVE., TEHRAN, IRAN
P.O.Box:15875-5371
TEL : (021)77 60 58 89, 77 60 58 93
FAX : (021)77 60 45 31
EMAIL : INFO@HARARAT-GOSTAR.COM
HTTP://WWW.HARARAT-GOSTAR.COM

ROLAIRTROL AIR SEPARATOR



*Distance required to remove strainer

Model No. *	Capacity (GPM)	Size of Tangential Openings	DIMENSIONS IN INCHES											Strainer Free Area (Sq.Inche)	Approx. Shpg. Wt. (Lbs.)
			A	B	C	D	E	F	G	H	J	K			
RL-2	56	2	15 7/8	7	4	4 7/8	6 5/8	7 3/8	2	1					50
RL-2½	90	2 1/2	17 3/8	7 1/2	4 1/2	5 5/8	8 3/8	9 3/4	2 5/8	1				65	
RL-3	190	3	26 3/8	8	10 5/16	8 1/16	10 3/4	16 3/4	3 11/16	1 1/4				85	
RL-4	300	4	31 5/8	10	12 1/8	9 1/2	12 3/4	20 1/2	4 1/8	1 1/2				100	
RL-5	530	5	36 7/16	12	13 1/2	10 15/16	16	23 3/4	5 1/4	1 1/2				160	
RL-6	850	6	43 3/16	14	15 13/16	13 1/4	18	25 3/4	5 11/16	1 1/2				205	
RL-8	1900	8	53 11/16	18	19 1/8	16 9/16	24	31 3/4	7 11/16	1 1/2				400	
RL-10	3200	10	64 11/16	22	22 5/8	20 1/16	30	37 3/4	9 5/8	1		N/A	N/A	630	
RL-12	4800	12	75 1/8	27	25 3/4	22 5/8	36	46 3/4	11 5/8	1				980	
RL-14	6100	14	95	31 1/2	35	28 1/2	42	54 1/2	14	2				1700	
RL-16	8000	16	105 3/4	36	38 1/8	31 5/8	48	62 1/2	16	2				2325	
RL-18	9700	18	123	40 1/2	44 3/4	37 3/4	54	70 1/4	18	2				3275	
RL-20	12000	20	135 1/2	45	48 5/8	41 3/4	60	78	20	2				5140	
RL-22	15000	22	148	49 3/8	52 5/8	45 3/4	66	85 7/8	22	2				6190	
RL-24	17000	24	159 1/2	54	56 1/8	49 1/4	72	93 1/2	24	2				7250	
R-2	56	2	15 7/8	7	4	4 7/8	6 5/8	7 3/8	2	1				55	
R-2½	90	2 1/2	17 1/8	7 1/2	4 1/2	5 5/8	8 3/8	9 3/4	2 5/8	1	1	9	32	90	
R-3	190	3	25 11/16	8	9 5/8	8 1/16	10 3/4	16 3/4	3 11/16	1 1/4		12	66	95	
R-4	300	4	30 3/4	10	11 1/4	9 1/2	12 3/4	20 1/2	4 1/8	1 1/2		14	140	165	
R-5	500	5	36 1/8	12	13 3/16	10 15/16	16	23 3/4	5 1/4	1 1/2		17	220	220	
R-6	700	6	42 3/4	14	15 1/2	13 1/4	18	25 3/4	5 11/16	1 1/2		19	310	300	
R-8	1300	8	53 11/16	18	19 1/4	16 9/16	24	31 3/4	7 11/16	1 1/2		23	435	460	
R-10	2000	10	64 5/8	22	22 9/16	20 1/16	30	37 3/4	9 5/8	1 1/2		28	590	860	
R-12	2750	12	76 15/16	27	27 5/16	22 5/8	36	46 3/4	11 5/8	1 1/2		34	715	1200	
R-14	3400	14	89 3/8	31 1/2	31 3/4	26 1/8	42	54 1/2	14	2		32	919	1780	
R-16	4400	16	102 3/8	36	36 1/8	30 1/4	48	62 1/2	16	2		36	1521	2425	
R-18	5200	18	123	40 1/2	44 3/4	37 3/4	54	70 1/4	18	2		52	1989	3410	
R-20	6300	20	135 7/8	45	49 1/8	41 3/4	60	78	20	2		56	2322	5310	
R-22	7400	22	148 1/8	49 5/8	52 3/4	45 3/4	66	85 7/8	22	2		60	2841	6400	
R-24	8500	24	159 3/8	54	56 1/8	49 1/4	72	93 1/2	24	2		64	2841	7530	